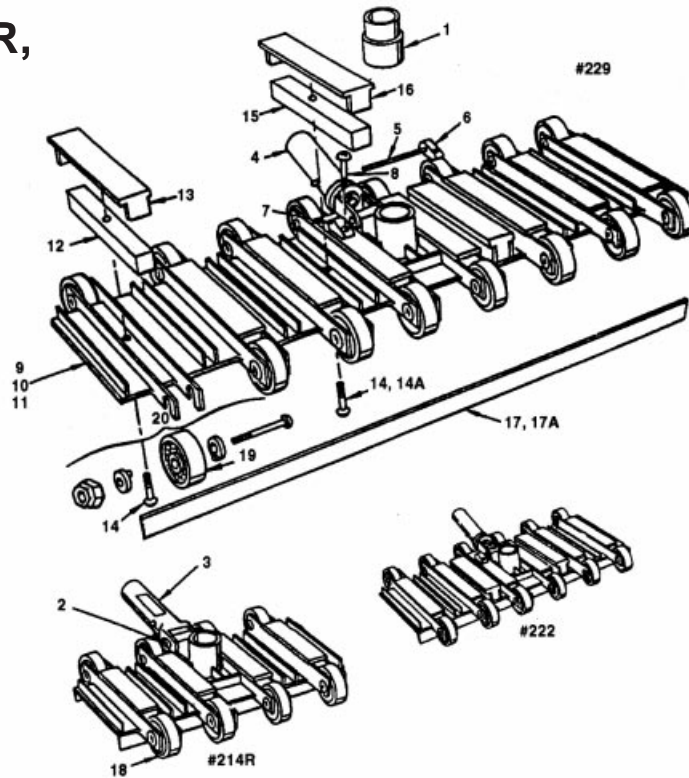




Pro-Vac® Model 214R, 222R, 214, 222, 229



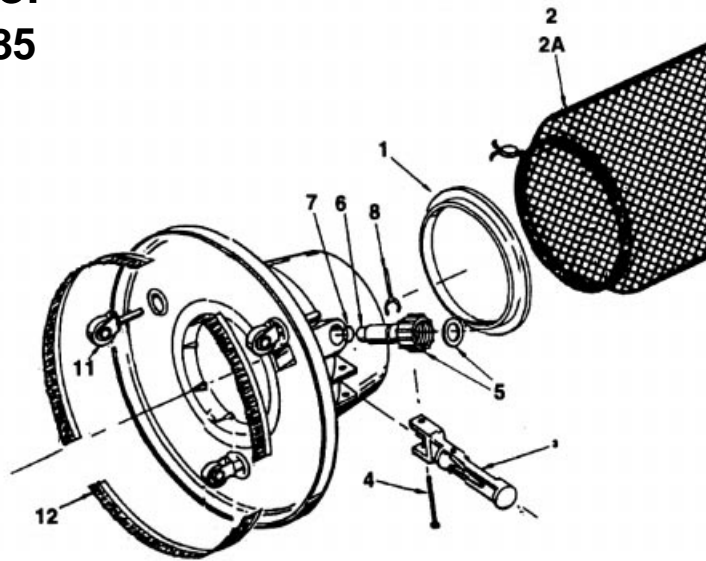
Key #	Catalog No.	Description	List
-------	-------------	-------------	------

PRO-VAC-MODEL 214R, 222R, 214, 222, 229

Key #	Catalog No.	Description	List
1	201566	Hose Swivel Adapter #258	2.97
2	201496	Stainless Steel Nut & Bolt for Handle (#214, #214R & 222R)	1.12
3	201476	#192 Snap-Adapt Handle (#214R, #222R)	2.30
4	201408	#152 Metal Swivel Handle (#214, #222 & #229)	18.53
5	03161	Stainless Steel Shaft (#222 & #229)	
6	03087	Left Shaft Retainer	.33
7	03088	Right Shaft Retainer	.33
8	01023	Screw, Shaft Retainer	.45
9	03152	Flexible Body only (#214)	10.13
10	03153	Flexible Body only (#222)	12.81
11	03154	Flexible Body only (#229)	15.46
12	02006	Lead only	3.80
13	03128	Lead Cover only	.73
14	01074	Screw, Lead Cover 5/8"	.38
14A	01075	Screw, Lead Cover 3/4"	.38
15	02009	Lead, large only	6.58
16	03160	Lead Cover, large only	.78
17	201776	White Flex Strip, Short Leg-5 ft. Bubble Pack	3.11
17A	201778	Blue Flex Strip, Long Leg-5 ft. Bubble Pack	3.11
18	03021	#174 Solid Plastic Wheel (#214R, #222R)	.95
19	201557	#175 Ball Bearing Polyurethane Wheel	4.07
20	201456	Axle Assembly (does not include wheel) (#214R, #222R)	.46
20A	201458	Axle Assembly (does not include wheel) (#214, #222, #229)	.93



Leaf Eater® Model 185



Key #	Catalog No.	Description	List
-------	-------------	-------------	------

LEAF EATER-MODEL 185

1	18502	Body collar #185-02	4.56
2	211426	Standard mesh bag #185-16	5.35
2A	211286	Optional sand/silt bag #185-03	8.38
2B	211430	High capacity bag-5 ft.	18.56
2C	211432	High capacity bag-3 ft.	11.56
3	201476	Handle with delrin spring clip #192	2.27
4	03101	Handle connecting pin #185-05	.42
5	211316	Hose connector with washer #185-06	2.29
6	18507	Hose inlet fitting #185-07	2.54
7	18508	"O" Ring for inlet fitting #185-08	.55
8	18509	Retainer clip #185-09	.95
9	18510	Automatic cleaner adapter #185-10	3.28
10	18511	"O" Ring for automatic cleaner adapter #185-11	.48
11	211436	Wheel assembly including caster 3 per bubble pack, 24 per case	5.52
12	211406	Brush set (set of 3) bagged - used on 185 VL only #185-15	6.48
13	211266	Body assembly #185-01	20.04