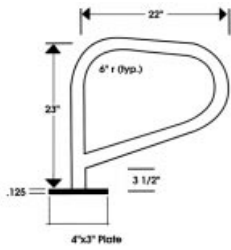


Catalog No. Description List



INTERFAB SPA RAILS

* .049" X 1.625" O.D. - T 304 Stainless Steel

SPA1625 Single Post Spa Rail/With Flange, 1.625" OD, .049" Wall 224.90

Handrail Supplied With 4" X 3" Stainless Steel Plate Drilled For 3/8" Bolts (Bolts Not Included)

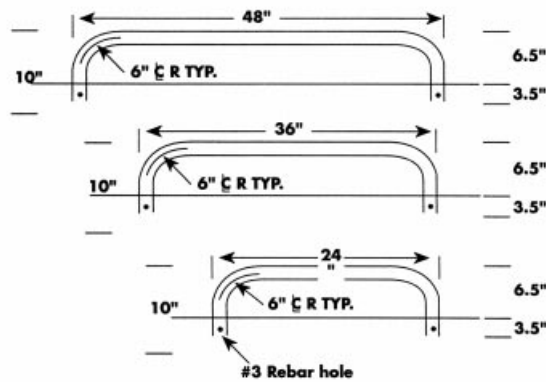
INTERFAB EXERCISE BARS

* .049" X 1.625" O.D. - T 304 Stainless Steel

EB48 48" Exercise Bar Without Flanges, 1.625" OD, .049" Wall 64.30

EB36 36" Exercise Bar Without Flanges, 1.625" OD, .049" Wall 56.20

EB24 24" Exercise Bar Without Flanges, 1.625" OD, .049" Wall 53.60



* All Exercise Bars Are Available With Flanges And Hardware For An Upcharge Of \$195.00 Per Exercise Bar.

* Also Available In 1.90" O.D. On Special Order From Factory Stock

RECESSED STEPS FOR GRAB RAILS

824007 American Products Set Of 3 White ABS Recessed Steps 61.00

824006 American Products Set Of 3 Blue ABS Recessed Steps 61.00

03988-0000 Sta-Rite White ABS Recessed Steps - Set Of 3 36.24

03990-0000 Sta-Rite White ABS Recessed Steps - Set Of 3 36.24

03986-0000 Sta-Rite Charcoal Gray ABS Recessed Steps - Set Of 3 36.24

WEDGE ANCHORS & ESCUTCHEONS

PS3019A Permacast 1.90" O.D. Aluminum Wedge Anchor - 3" Deep 6.54

PS3019BC Permacast 1.90" O.D. Brass Wedge Anchor - 3" Deep 12.50

PS4019C Permacast 1.90" O.D. Aluminum Wedge Anchor - 4" Deep 7.20

PS4019BC Permacast 1.90" O.D. Brass Wedge Anchor - 4" Deep 12.50

SP1392 Hayward Cylolac Wedge Anchor 11.72

IA416630 1.90" Stainless Steel Escutcheon 6.40

PE0019CPB Permacast Chrome Plated Brass Escutcheon 12.20

PE0019C Permacast Chrome Plated Cylolac Escutcheon 4.38

SP1042 Hayward Chrome Plated Cylolac Escutcheon 5.62